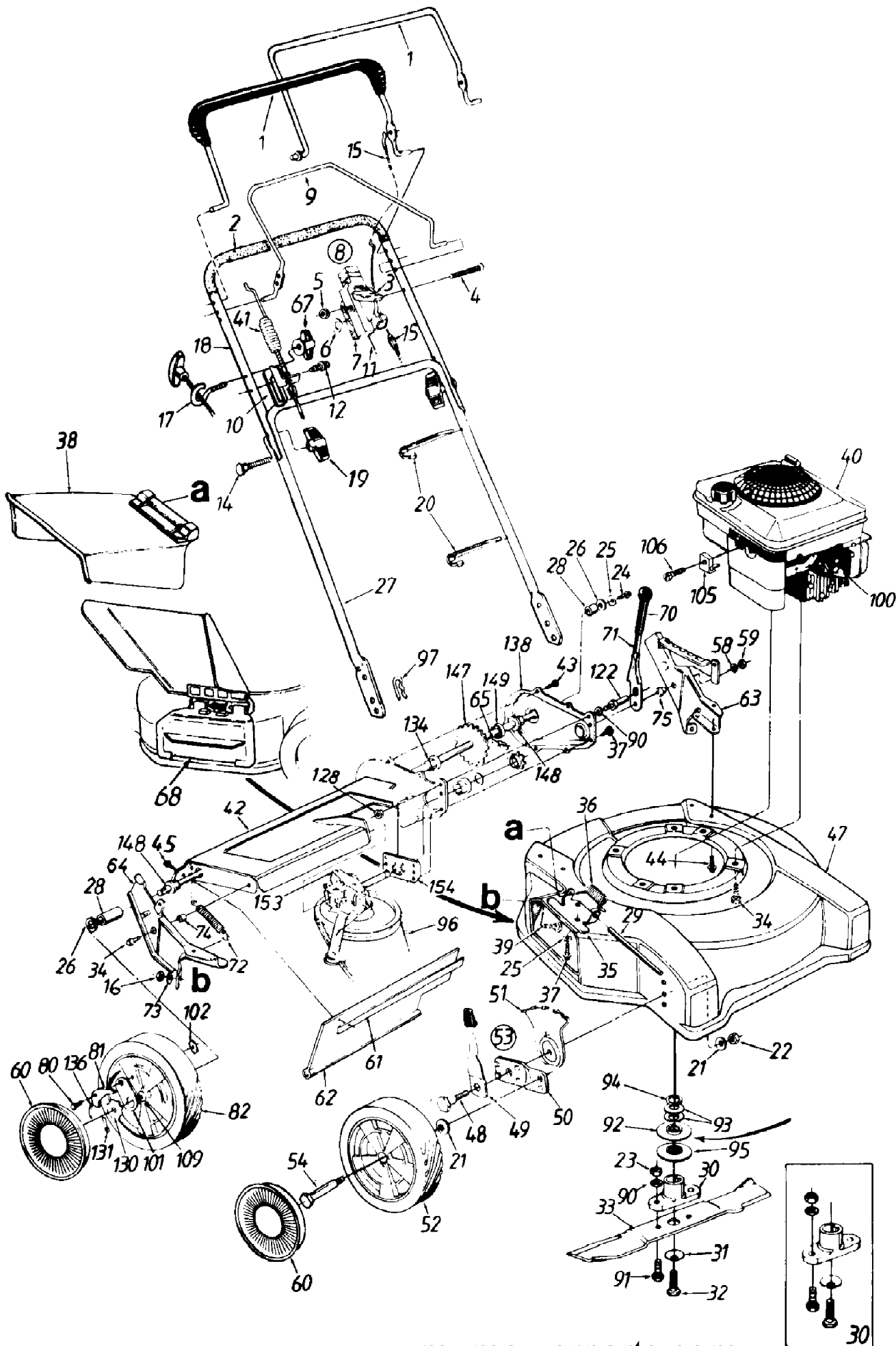


123-236A190 22" ERS Mower (1993)
22" ERS Mower



123-236A190 22" ERS Mower (1993)
22" ERS Mower

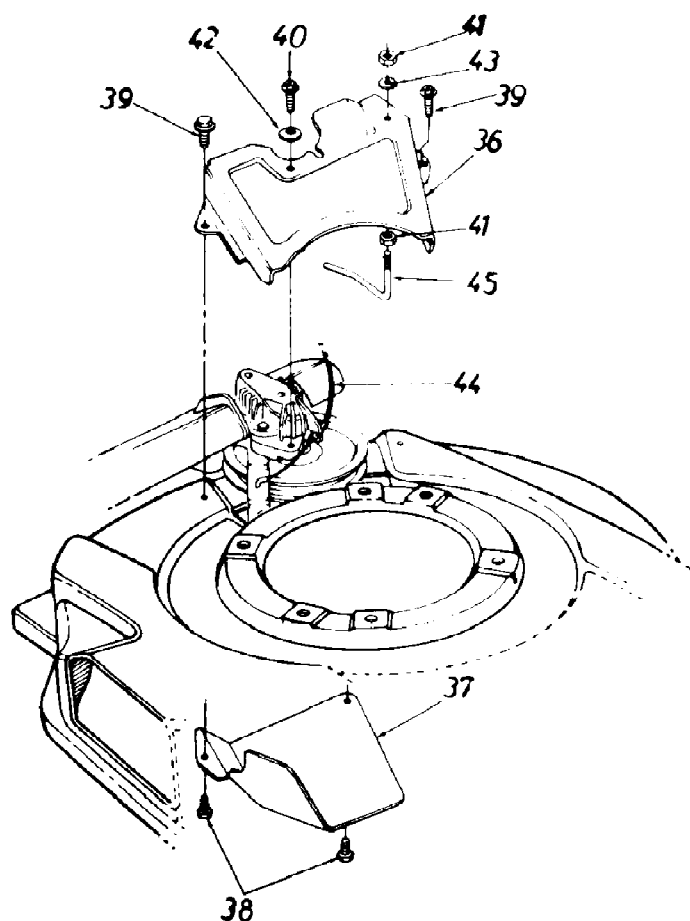
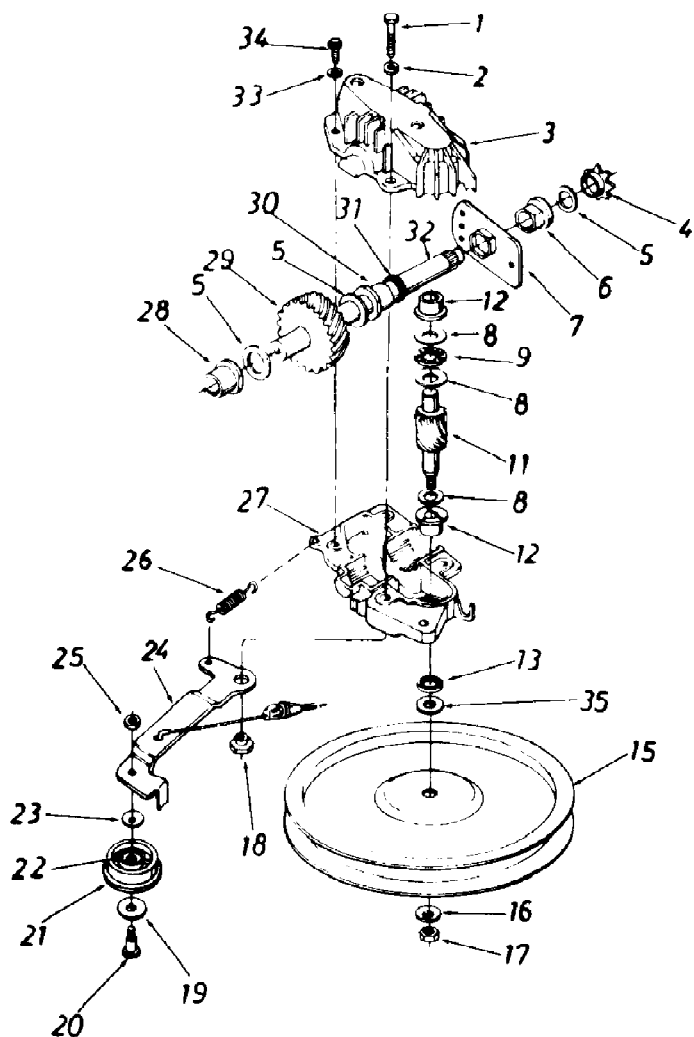
Page 2 of 5

Ref #	Part Number	Qty	S/P/F	Description
1	747-0824	1	S	Control Handle Ass'y.
2		1		UNKNOWN
3	746-0876	1	S	Throttle Lever
4	710-0605	1	/P	Oval C-Sunk Scr.
5	712-0324	1	/P	Hex L-Nut 1/4-20 Thd.
6	736-0501	1	S	Spr. Wash. .66" I.D.
7	746-0875	1	S	Throttle Body
8	811-00185	1	S	Throttle Box Comp. (Incl. Ref. 3, 4, 5, 6, 7)
9	747-0854	1	S	S.P. Bail Ass'y. Code: N Notates a new part (not previously existing)
10	16309A	1	/P	Cable Bracket
11	746-0843	1	S	Throttle Cable 55" Lg.
12	710-0726	1	/P	Hex Wash. AB-Tap Scr. 5/16 x .75" Lg.
14	710-1174	1	/P	Curved Hd. Bolt 5/16-18 x 2"
15	746-0550	1	S	Control Cable 39" Lg.
16	712-0267	1	S/F	Hex Nut 5/16-18 Thd.
17	710-1205	1	/P	Rope Guide
18	749-0538C	1	S	Upper Handle
19	720-0276	1	S	Hand Knob
20	726-0240	1	S	Cable Tie
21	736-0105	1	/P	Bell-Wash. .38" I.D. x .88"
22	712-0798	1	/P/F	Hex Nut 3/8-16 Thd.
23	712-0241	1	/P/F	Hex Nut 3/8-24 Thd.
24	710-0751	1	/P	Hex Bolt 1/4-20 x .62" Lg. (Grade 5)
25	736-0270	1	/P	Bell-Wash. 1/4" I.D.
26	736-0160	1	S	FI-Wash. .531" I.D. x .93"
27	749-0928	1	S	Lower Handle Code: N Notates a new part (not previously existing)
28	748-0190	1	/P	Spacer .513" I.D. x .703"
29	747-0710	1	S	Hinge Pin
30	753-0484	1		Blade Adapter Kit
31	736-0452	1	S	Bell-Wash. .39" I.D.
32	710-1044	1	/P	Hex Bolt 3/8-24 x 1.5" Lg.
33	742-0622	1	S	22" Blade
	742-0722	1	S	Mulching Blade (Optional)
34	710-0654A	1	/P	Hex L-Wash. Hd. Scr. 3/8-16 x 1.0" Lg.
35	17032	1	S	Adapter Plate
36	732-0593	1	S	Torsion Spring
37	710-0599	1	/P	Hex Self-Tap Scr. 1/4-20 x .5"
38	731-1034	1	S	Chute Deflector Ass'y.
39	710-0260	1	S	Carriage Bolt 5/16-18 x .62" Lg.
40		1		Engine
41	746-0594	1	S	Drive Cable - 41.5" Lg.
42	17055B	1	/P	Chain - Axle Ass'y.
43	710-0352	1	/P	Hex B-Tap Scr. 1/4 x .38" Lg.
44	710-0603	1	/P	Hex Wash. Hd. B-Tap Scr. 5/16-18
45	710-0776A	1	S	Hex AB-Tap Scr. 1/4 x .62"
47	682-0001	1		22" Deck Ass'y.
48	738-0507B	1	S	Shld. Bolt .5" Dia. x .357
49	14832	1	S	Spring Lever Ass'y. w/Knob
50	152628	1		Pivot Bar
51	15261A			

123-236A190 22" ERS Mower (1993)
22" ERS Mower

Page 3 of 5

Ref #	Part Number	Qty	S/P/F	Description
52	634-0020	1		Wheel Ass'y. Comp.
53	14578	1	/P	Height Adj. Ass'y. Comp. - R.H.
	14579	1		Height Adj. Ass'y. Comp. - L.H.
54	738-0102	1	S	Shld. Bolt .498" Dia. x 1.45"
58	736-0300	1	S	Fl-Wash. .385" I.D. x .87"
59	712-0296	1	S	Hex Patch L-Nut 3/8-24 Thd.
60	731-0981A	1	S	Hub Cap
61	14835	1		Retaining Strip
62	731-0672A	1	/P	Rear Flap
63	16137B	1	S	L.H. Handle Wheel Brkt. Ass'y.
64	16136B	1	S	R.H. Handle Wheel Brkt. Ass'y. Code: N Notates a new part (not previously existing)
65	713-0353	1	S	#48 Chain .5" Pitch x 30 Links
67	712-0397	1	S	Wing Nut 1/4-20 Thd.
68	731-1386A	1	S	Mulching Baffle (Optional)
70	720-0223	1		Grip
71	732-0606	1		Height Adj. Lever
72	732-0481	1	S	Ext. Spring .5" O.D. x 3.8" Lg.
73	736-0242	1	/P	Bell-Wash. 5/16" I.D.
74	750-0736	1	S	Spacer .383" I.D. x .503"
75	750-0624	1		Shld. Spacer .5" Dia.
80	738-0137	1		Shld. Scr. .342" Dia. x .268"
81	748-0188B	1	S	Pawl
82	634-0020	1		Wheel Ass'y. Comp.
90	736-0169	1	S/F	L-Wash. 3/8" I.D.
91	710-1055	1	/P	Hex Bolt 3/8-24 x 1.0" Lg.
92	756-0962	1		Upper Pulley Half
93	736-0473	1		Bell-Wash. 7/8" I.D.
94	748-0358	1		Crankshaft Spacer
95	756-0961	1		Lower Pulley Half
96	754-0369	1	S	"V"-Belt
97	714-0104	1	S	Hairpin Clip
100	735-0639	1	/P	Spark Plug Boot
101	16855	1		Pawl Plate
102	712-0414	1	S	Weld L-Nut 1/4-20 Thd.
105	751-0568	1	S	Cable Clamp
106	710-1237	1		Hex Wash. Hd. Scr. #10-32 x .62" Lg.
109	741-0486B	1		Sleeve Brg. 1/2" I.D.
122	711-0805	1		Shld. Pin 3/8-24 x 1.43" Lg.
128	712-0711	1	/P	Hex Jam Nut 3/8-24 Thd.
130	748-0318	1	S	Ratchet Wheel 1.62" O.D.
131	714-0115	1	S	Cotter Pin 1/8" Dia.
134	741-0522	1	S	Hex Flange Bearing
136	10622B	1	S	Spring - Nylon
138	17053A	1		Chain Cover
147	738-0719A	1	S	Rear Shaft Ass'y. 21.94" Lg.
148	741-0324	1	S	Hex Flange Bearing
149	736-0160	1	S	Fl-Wash. .531" I.D. x .93"
153	717-0417B	1	S	Transmission Comp (See Breakdown)
154	16500A	1	S	Hex Bearing Cup



123-236A190 22" ERS Mower (1993)
Transmission

Page 5 of 5

Ref #	Part Number	Qty	S/P/F	Description
1	710-0106	1	/P/F	Hex Bolt 1/4-20 x 1.25" Lg.
2	726-0329	1	F	L-Wash. 1/4" I.D.
3	717-0418A	1	/P	Upper Hsg. Half
4	713-0400	1		#48 Sprocket 7 Tooth x 1/2 Pitch
5	736-0336	1	S	FI-Wash. 5/8" I.D. x .030
6	741-0413	1	S	Hex Flange Brg. .631" I.D.
7	16500A	1	S	Hex Bearing Cup
8	736-0314	1	S	Thrust Wash. .382" I.D. x .70" O.D.
9	741-0479	1		Thrust Bearing .375" I.D. x .812" O.D.
11	717-1216	1	S	11 Tooth Helical Gear
12	748-0208A	1	/P	Flange Bearing
13	721-0212	1		Oil Seal
15	756-0330A	1	/P/F	FI-Pulley 5.06" I.D.
16	736-0270	1	/P/F	Bell-Wash. .265" I.D. x .75"
17	712-0351	1	S/F	Hex Nut 1/4-28 L.H. Thd.
18	738-0440	1	F	Shld. Spacer .375" Dia. x .170
19	736-0344	1	S/F	FI-Wash. .390" I.D. x 1.0"
20	738-0826	1	S/F	Shld. Bolt .375" Dia. x .40"
21	756-0558	1	S/F	FI-Idler Plastic 1.50" Dia.
22	741-0556	1	S/F	Needle Brg. .375" x .375"
23	736-0270	1	/P/F	Bell-Wash. .265" I.D. x .75"
24	17052A	1	/P/F	Idler Brk't. Ass'y.
25	712-0138	1	S/F	Hex Patch L-Nut 1/4-28 Thd.
26	732-0357A	1	S/F	Extension Spring 1.12" Lg.
27	717-0419A	1	S	Lower Hsg. Half
28	741-0415	1	S	Flange Bearing .56 Dia.
29	717-0422	1	S	33 Tooth Helical Gear
30	741-0414	1		Flange Bearing .629 Dia.
31	721-0213	1	/P	Oil Seal .625 Dia.
32	738-0607	1	S	Gear Sprocket Shaft
33	736-0722	1	S	L-Wash. #10 I.D.
34	710-0436	1	S	Hex B-Tap Scr. #10 x .62"
35	736-0410	1	S/F	Hex Washer .26" x .88"
36	17718	1	F	Transmission Belt Guard
37	17064	1		Belt Cover
38	710-0352	1	/P/F	Hex B-Tap Scr. 1/4 x .38" Lg.
39	710-0599	1	/P/F	Hex AB-Tap Scr. 1/4 x .50" Lg.
40	710-0896	1	/P	Hex B-Tap Scr. 1/4 x .62" Lg.
41	712-0287	1	S/F	Hex Nut 1/4-20 Thd.
42	736-0270	1	/P/F	Bell-Wash. .265" I.D. x .75"
43	736-0329	1	S/F	L-Wash. 1/4" I.D.
44	746-0710	1	S/F	S.P. Cable - 48" Lg.
45	747-0549	1	F	S.P. Belt Guard
	717-0417B	1	S	Transmission Comp.